
WEIGHT CAPACITY
140 Kg

RADIUS
5000 mm

PRESSURE
0.7-0.8 Mpa

VERTICAL LIFT
1800 mm

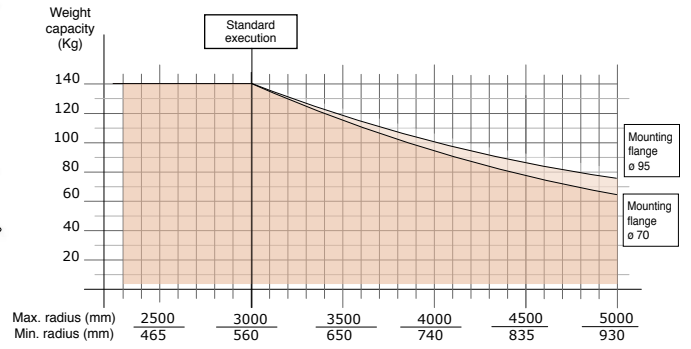
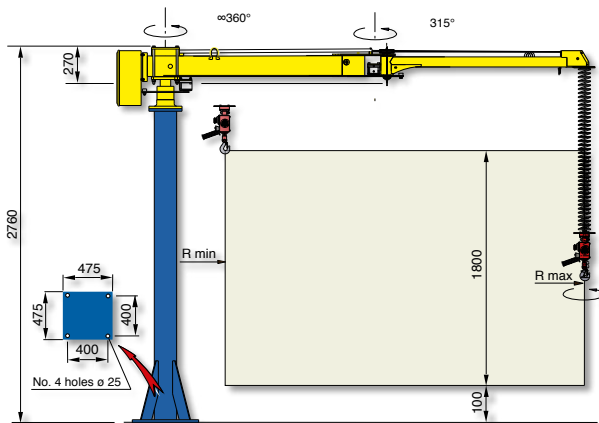
VERSIONS

- COLUMN
- FIXED OVERHEAD
- RUNNING OVERHEAD

Pneumatic Manipulator POSIFIL PF with double cable

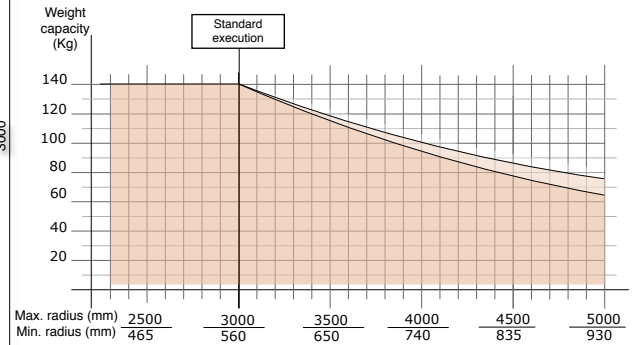
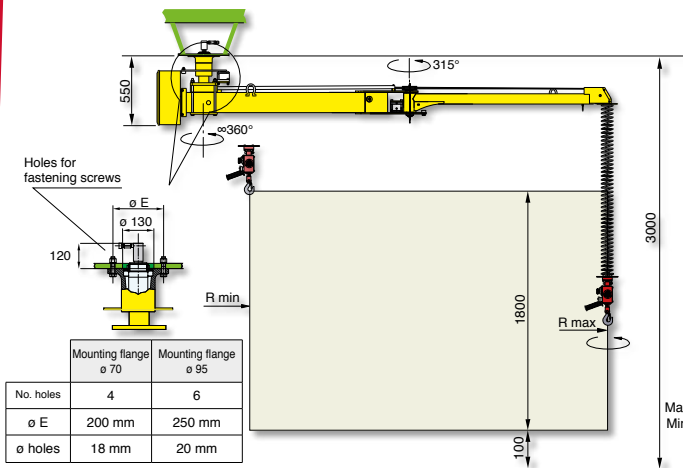
POSIFIL PF, equipped with special gripping tools, allows to handle loads in a weightless condition in any direction. The gripping tool is connected to the balancing group through two single steel cables to guarantee max safety. The particular double arm structure and middle joint makes it easy to operate within the entire working area.

Posifil column mounted - PFC



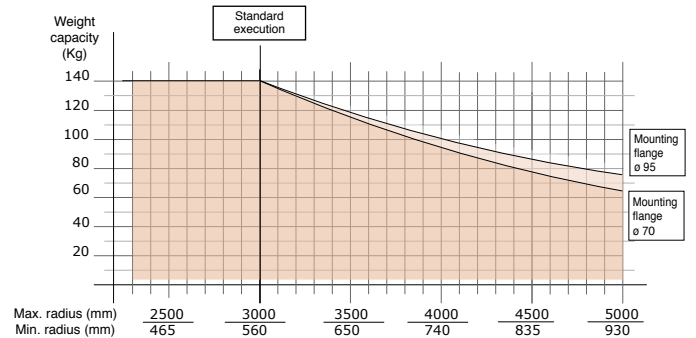
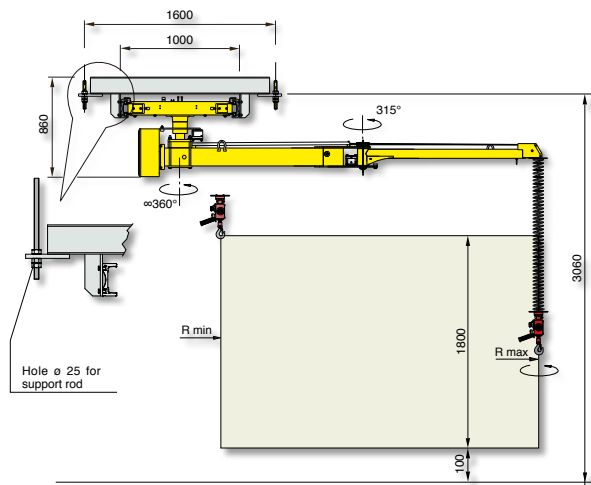
Structural versions: column mounted on fixed base-plate, autostable base-plate of our supply properly dimensioned.

Posifil overhead mounted - PFF



Configuration and measurements may change upon the Customer's specific requirements

Posifil overhead trolley mounted - PFS



Air supply: Dry and oil-free compressed air min constant 0.7÷0.8 MPa